

# GT POWER

..... BREAK THROUGH TECHNOLOGY!

## PORTABLE GENERATOR RANGE

GT POWER **2** YEAR WARRANTY  
COMMERCIAL

GT POWER **4** YEAR WARRANTY  
DOMESTIC



Push button electric start  
for effortless starting

REMOTE  
START



Volume 1.3

[www.gtpower.co.nz](http://www.gtpower.co.nz)

# PORTABLE POWER WHEN YOU NEED IT MOST

## GT POWER - The only choice when reliability, value and perfect power are on your checklist

This new series has been designed from the ground up to provide the ultimate solution for your portable power requirements. If the lowest price generator on the market is what you are set on buying, please stop reading now and start preparing yourself for a lot of heartache and pain - both to the wallet and also to your personal circumstances. It is impossible to build a quality generator at a bargain basement price and GT POWER will not accept any compromises on quality in doing what is necessary to provide the best value and reliability in the market.

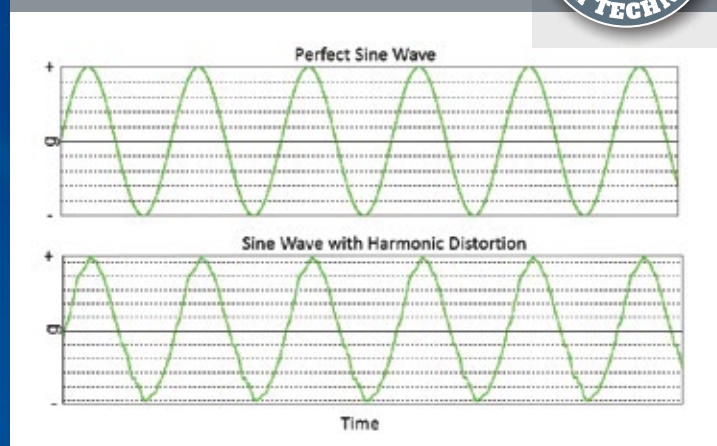
This is why GT POWER have a huge number of returning customers in the market today, customers who have experienced and appreciated the fact that "when you need a generator to go", it is that moment when it starts and powers everything up correctly and efficiently, that the decision to purchase quality is really highlighted as a very important one.

## GT POWER traditional style generators provide "super clean" power at less than 5% THD! \*

### So what is THD and why does it matter to me?

THD stands for "Total Harmonic Distortion" and is a measurement of the quality of power. Typical mains power has a THD of less than 5%. Anything greater than 5% can damage sensitive electronic circuits, cause static in speakers, cause lights to flicker etc. It is very common in most lesser quality generators than GT POWER for THD levels to be up around 15% and some bargain basement models even up to 25%! High THD levels are an unseen "appliance killer" and is something to be very aware of. Generally, if THD levels are not advertised, it can safely be assumed that this is due to the fact that they are much greater than 5% - and a very detrimental and negative factor in a generator.

GT POWER Patented Alternator Technology



### What allows GT POWER to have so much better power output/low THD?

Factors that influence THD are primarily in the quality of the alternator construction and excitation process, as well as the controlling electronics for frequency and voltage. The special quality, solid construction and attention to detail that GT POWER machines have included in these areas ensure that the THD levels are exceptionally low. Of course, the manufacturing cost is much higher to achieve this, but we are committed to providing you with the best. After all, what does the small saving on a bargain basement generator look like when it blows up a valuable appliance!

**For reliability and clean power for the long term future - choose GT POWER!**



\* On selected models

*When selecting a generator it's easy to feel left in the dark when it comes to knowing what to look for. The selection guide included in this brochure will enable you to make the correct decision.*

## COPPER WINDINGS

The alternator is the heart of every generator, so higher quality alternators equal higher quality power. All GT Power generators come with industrial copper windings in the alternator opposed to aluminium.

Copper is much more conductive than aluminium which lasts longer and produces much more stable power. This reduces the risk of generated power damaging any items you run off your generator.

## TRADITIONAL STYLE GENERATORS

GT POWER traditional style generators provide "super clean" power at less than 5% THD!\* They produce power by using a gasoline engine to rotate a large alternator at 3000RPM.



It is important that the revolutions are exactly 3000RPM as this produces an electrical frequency of 50Hz. Traditional generators are not designed to power sensitive electronic equipment because this frequency can fluctuate with the engine RPM. If you need to power sensitive electronics, refer to the GT POWER INVERTER SERIES.

## INVERTER GENERATORS

An Inverter Generator is normally used where power is required for sensitive electronic equipment like PCs, TVs and instrumentation. They are also chosen when portability or size is important and where noise must be kept to a minimum. Inverter generators are the next step up from the low 'THD' models and are able to produce a perfect sine wave at varied engine revolutions. This is done by filtering the raw power through a large inverter circuit board. This gives the generator the ability to idle down when power requirement is low, saving you fuel.

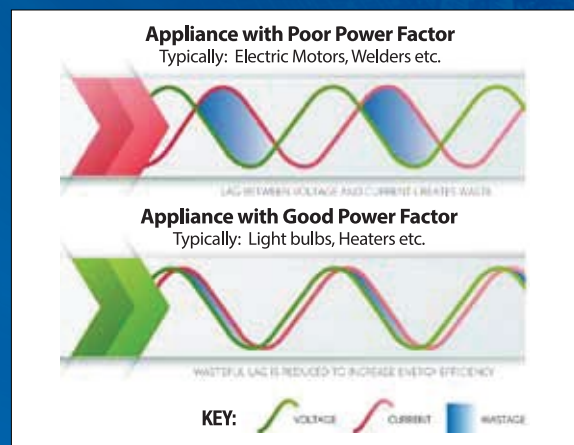


## kW vs kVA EXPLAINED

Electrical power can be commonly expressed in kilowatts (kW) or kilo volt ampres (kVA). Both units are a measure of voltage multiplied by current flow, which equates to electrical power. In an alternating current circuit (AC) which is common for most electrical power equipment, the voltage or current may be delayed by the properties of the electrical circuit causing the alternating current and voltage to become out of synchronisation (known as out of phase). If the alternating voltage and current flow do not peak at the same time, the total real power available in the circuit will be reduced. kVA expresses maximum potential power in a circuit with the voltage and current alternating uniformly, while kW measures real power available, taking into the account the phase difference between the voltage and current.

The difference between the kVA and kW in a circuit is called 'power factor' which is expressed as a decimal i.e. 0.8. Power factor of 0.8 would mean that only 80% of the kVA is available as usable kW. E.G 10kVA x power factor of 0.8 = 8kW. The power factor is dependent on the properties of a complete circuit, so for a generator application the power factor is dependent on the type of load connected to the generator. Because the power factor is determined by the load operated, GT Power generators are rated with the kW/kVA rating being equivalent e.g 5.5kW = 5.5kVA. If low power factor is significant for a load, generally the input power rating will be in kVA. If a load input power requirement is rated in watts (w) or kW, generally the load has a high power factor or the manufacturer has made allowances for the power factor in the input rating.

Note: Power factor has nothing to do with load efficiency or load start up rating.



The top graph with the greater phase difference means the appliance is relatively inefficient and the kVA rating will be higher than the kW. The lower graph shows an appliance with a lesser phase difference, meaning the kVA and kW requirement will almost be identical.

\*On selected models

# POWER REQUIREMENTS



## POWERDYNE ENGINES

- Professional Power and Guaranteed Performance!

### POWERDYNE ENGINE TECHNOLOGY

If you are choosing a generator to perform under pressure and be there for the long haul, the last thing you will want to do is compromise on the engine. At GT Power we have exclusively chosen the trusted POWERDYNE engine to provide the solid 'day in, day out' performance and reliability that we demand. POWERDYNE engines are especially engineered for professional power equipment and set the standard for power output, fuel efficiency and durability. Just some of the features that ensure POWERDYNE engines lead the pack are:

- Chrome Piston Rings
- OHV Technology
- Low Oil Alert Systems
- High Efficiency Industrial Air Cleaner Systems
- Precision Ballbearing Supported Crankshafts
- EZ Start Recoil System
- Solid State Electronic Ignition
- Large Anti-vibration Isolation Mounts
- Heavy Duty Mufflers
- Excellent Power to Weight Ratios

*If you are a professional ask for POWERDYNE quality, don't settle for a lesser engine!*

### ALTERNATOR / GENERATOR END

The alternator consists of two parts, the rotor and the stator. The rotor (which is coupled to the motor and rotates) sits inside the stator. The quality and assembly of these two components is crucial to the operation and longevity of a portable generator.

Many inferior generator manufacturers use lower quality materials to save cost in this area. One prime example of this is the use of aluminium windings in the stator.

All GT POWER Generators use premium quality copper windings to ensure ultimate performance and durability. Usually, if a manufacturer doesn't state this fact, copper is not being used.

GT POWER Generator housings are bolted directly to the engine, providing precise rotor and stator alignment. All GT POWER Series generators process their power through heavy duty AVR (automatic voltage regulator) modules. This means reliable voltage output regardless of the load applied to the generator. The GT POWER Series use the latest generation AVR technology which ensures smooth and reliable power.



The revolutionary new square profile alternator is a quantum leap forward in power output, quality and long-term endurance levels.

The square profile alternator incorporates more surface area than traditional alternator, allowing for reduction in running temperature and improving durability and power output.

### OPERATING NOISE LEVELS

The GT POWER range of generators operate at 50-80dBA. This chart will give you an idea of what this level represents.

140	Close jet aircraft, Artillery fire	Deafening
130	Thresh-hold of pain, causes ear damage	Deafening
120	Diesel engine room	Extremely Loud
110	Heavy traffic in tunnel	Extremely Loud
100	Live concert, chainsaw	Very Loud
90	Subway train	Very Loud
80	Busy road	Loud
70	Normal street, average radio	Loud

60	Normal conversation	Moderate
50	Normal office	Moderate
40	Soft office	Faint
30	Soft office	Faint
20	Calm room	Very Faint
10	Leaves rustling	Very Faint
0	Thresh-hold of hearing	Totally Quiet

**50-80 = The GT POWER Range**

..... **BREAK THROUGH TECHNOLOGY!**

Appliances / Tools	Approx Run	Approx Start	Appliances / Tools	Approx Run	Approx Start
Microwave 750W	750	1200	Central Air Conditioner:		
Coffee Maker	1750	1750	10,000 BTU	1500	2200
Electric Clothes Drier	5750	5750	24,000 BTU	3800	5000
Washing Machine	1150	2300	32,000 BTU	5000	6500
Refrigerator	700	2200	Room Air Conditioner		
Lights	100	100	10,000 BTU	1500	2200
Colour Television	350	350	Circular Saw 7 1/4"	1400	2300
Electric Frypan	1500	1500	Chainsaw 2HP	1100	2500
Dehumidifier	400	400	Portable Air Compressor	1200	3600
Computer Desktop	700	700	Hand Drill 1/2"	600	900
VCR	50	50	Drill 1/2"	600	900
Dishwasher - Cool Dry	700	1400	Battery Charger 15A	500	700
- Hot Dry	1450	2000	Electric Welder 200A AC	9000	9000
Toaster - 2 Slice	1250	1250	Jigsaw	300	400
- 4 Slice	1600	1600	Electric Weed Trimmer	500	650
Freezer	2200	2500	Router	1000	1300
Hair Dryer	800-1700	800-1700	Belt Sander	1000	1300
Steam Iron	1800	1800	Table Saw 10"	1750	4250
Garage Door Opener - 1/4 HP	550	1100	Bench Grinder	1400	2450
- 1/3 HP	725	1400	Concrete Mixer 3.5c/f	1900	2500
Radio	200	200	Band Saw	1100	1350
Blender	375	500	Power Drill - Medium	1000	1200
Sump Pump - 1/2 HP	1050	2150	- Heavy Duty	1500	1800
Well Pump - 1/2 HP	1000	2100	Angle Grinder - 100mm	1000	1200
Household Water Pump	1200	2700	- 230mm	2400	5000

This chart lists average power requirements. Your particular tool or appliance may require more or less than the listed wattage. For exact wattages, check the spec-plate or owner's manual on the item you wish to power. Where START wattage is the same as RUN wattage, this signifies no additional power is required for starting.

**TOTAL RUNNING WATTS + HIGHEST STARTING WATTS = GENERATOR POWER NEEDS**

Important Note: Always select a generator that has more capacity than your load requirements. The small amount extra you may invest to do this will be quickly recovered with the fuel saving and longer service life gained by not having to constantly run your generator at full load.

## CALCULATING YOUR TOTAL POWER NEEDS

The table above offers a guide on the wattages used on most common appliances and electrical items used in the home or workplace. For exact figures we recommend you check the spec-plate or instruction manual for your individual appliances. Also listed (where applicable) is the "starting" or "surge" Wattage which is the power requirement needed to start an appliance with a motor. This can be up to three times the wattage required to run the appliance, so must be taken into consideration.

All generators also have a maximum and rated wattage output. GT POWER Generators are designed to work at their maximum rating for up to half an hour. Rated power is the level where the generator can be operated continuously and is typically 90% of maximum power. GT Power Portable Generators include machines that range from 2000W to 18000W.

1. Firstly list all items requiring power simultaneously.
2. Then add up all the "running wattage" requirements for all items.
3. Add to that total the highest of the "starting wattages" you listed down. This total must be less than the generators rated running power output.
4. Next, identify the device with the highest starting power demand in Watts. Add this value to the running power demands of the other devices. This total must be less than the generators rated starting power output.

## Other generator selection criteria

- Weight / portability
- Operating sound levels
- Engine type (2 stroke, 4 stroke or diesel)
- Fuel capacity
- Starting system (electric or EZ start recoil)
- Investment cost.

Tool or Appliance	Running Watts	Starting Watts
1.		
2.		
3.		
4.		
5.		
<b>Total Running Watts</b>	<b>+</b>	
<b>Highest Starting Watts</b>		

= Generator Power Needs



**CAUTION!** Operating voltage and frequency requirement of all electronic equipment should be checked prior to plugging them into the generator. Damage may result if the equipment is not designed to operate within a +/- 10% voltage variation, and +/- 3 Hz frequency variation from the generator specification ratings.

..... BREAK THROUGH TECHNOLOGY!

## Best in Class Warranty in NZ



At GT Power, we believe in powering more than your appliances; we power your peace of mind. With over 16 years in the market, we've built an unwavering reputation for quality and reliability that's reflected in our robust warranties. Our 4-year warranty for domestic use and 2-year warranty for commercial applications are not just promises, they are testaments to our commitment to superior service. These warranties, matched only by the best in the industry, are backed by our exceptional customer support, a 10-year spare part guarantee, and a well-stocked parts holding. We take pride in offering the best in-class warranty in New Zealand, and that's just one part of our commitment to you.

Whether you're at home or on the job, GT Power is dedicated to keeping your world running smoothly. When you choose GT Power, you're not just purchasing a generator, you're investing in a reliable partner committed to providing uninterrupted power and unrivalled service for years to come.



### Award Yourself Peace of Mind with GT Power

1. A comprehensive 4 year domestic warranty & 2 year commercial warranty, which are superior in duration compared to the industry standard
2. A 10-year spare part guarantee, ensuring that customers have access to necessary parts for a longer period
3. Exceptional customer back-up service and support, including a dedicated FREE phone support line and online support where customers can talk to experienced, helpful technicians
4. Nationwide coverage of highly knowledgeable and skilled service centres ready to assist with any issues over the lifetime of the machine



## GT2500ESi **ELECTRIC START** INVERTER GENERATOR

2500W/2.9kVA SINGLE PHASE - 230V

With 2500W maximum output and compact design, this single phase 230V generator is ideal for camping or household backup power.

- 2500W (max.) power output, 2300W (cont.) power output.
- Smart throttle - matches engine speed to power draw ensuring super quiet operation & fuel saving.
- Powerdyne 4 stroke, air cooled, OHV industrial engine.
- 2x 15A, 230V outlets, 1x 8.3A 12V DC outlet
- Push button electric start with backup EZ recoil makes starting easy.
- Increase power while maintaining the flexibility and convenience of compact design with optional parallel function.
- Up to 10 hours run time @ 50% load & whisper quiet at only 52dB!
- Highly portable and compact - under 21.5kg!
- Featuring Eco mode button for efficient running.
- Wireless remote starting - start the generator from 50m away (max).



OUTPUT (Max)	AMPS (Max)	OUTPUT (Rated)	kVA	ENGINE TYPE	dBA RATING	STARTING SYSTEM	FUEL TANK CAPACITY	RUN TIME	LOW OIL ALERT	POWER OUTLETS	L x W x H (mm)	WEIGHT
2500W	15A	2300W	2.9	4 Stroke OHV	52	Electric Start/Recoil	4.5L	10hrs @50%	✓	2	485x340x510	21.5kg



## GT3800Ei **ELECTRIC START** INVERTER GENERATOR

3800W/4.8kVA SINGLE PHASE - 230V

With 3800W (max) and compact design this single phase 230V inverter generator is ideal for camping, on-site, or house-hold backup.

- 3800W (max), 3500W (cont.)
- Push Button Electric start with EZ recoil backup for easy starting.
- Powerdyne 224cc 4-Stroke OHV engine for ultimate durability and reliability
- 2 x 15A, 230V outlets, 2 x USB outlets.
- Smart throttle for quiet operation and fuel savings.
- Digital control panel for simplified engine management and parameter monitoring.
- 12V charging capability for easy charging of small 12V batteries.
- Low oil shutdown helps to prevent generator damage if oil level is low.



OUTPUT (Max)	AMPS (Max)	OUTPUT (Rated)	kVA	ENGINE TYPE	dBA RATING	STARTING SYSTEM	FUEL TANK CAPACITY	RUN TIME	LOW OIL ALERT	POWER OUTLETS	L x W x H (mm)	WEIGHT
3800W	16.5A	3500W	4.8	4 Stroke OHV	65	Electric/Recoil	10L	11hrs @50%	✓	2	530x350x490	34kg



## GT4000ESi **ELECTRIC START** INVERTER GENERATOR

4000W/5kVA SINGLE PHASE - 230V

With 4000W max and compact design this single phase, 230V inverter generator is ideal for backup power and workshop applications.

- 4000W (max), 3500W (cont.)
- Push button start with WIFI remote starting.
- Reliable Powerdyne 4-stroke OHV engine.
- High performance air cleaner system for improved performance.
- Large capacity muffler and silenced casing for super quiet operation.
- Thermal overload circuit breakers for increased safety while operating.
- Heavy duty wheel set and handle for improved portability.
- 2 wire start function



OUTPUT (Max)	AMPS (Max)	OUTPUT (Rated)	kVA	ENGINE TYPE	dBA RATING	STARTING SYSTEM	FUEL TANK CAPACITY	RUN TIME	LOW OIL ALERT	POWER OUTLETS	L x W x H (mm)	WEIGHT
4000W	17.4A	3500W	5	4 Stroke OHV	59	Electric/Recoil	12L	12hrs @50%	✓	2	758x495x550	40kg



**GT4000i-LPG** **ELECTRIC START INVERTER GENERATOR**  
**4000W GAS/3500W LPG/5kVA**

With 4000W max (gas) and compact design this single phase, 230V inverter generator is ideal for backup power and workshop applications.



- Power Output (Gas/LPG) 4000W / 3600W (max), 3500W / 3150W (cont.)
- Duel Fuel Petrol/LPG - regulator included.
- Push button start with WIFI remote starting.
- Reliable Powerdyne 4-stroke OHV engine.
- High performance air cleaner system for improved performance.
- Thermal overload circuit breakers for increased safety while operating.
- Heavy duty wheel set and handle for improved portability.
- Two-wire start perfect for solar integration



OUTPUT (Max)	AMPS (Max)	OUTPUT (Rated)	kVA	ENGINE TYPE	dBA RATING	STARTING SYSTEM	FUEL TANK CAPACITY	RUN TIME	LOW OIL ALERT	POWER OUTLETS	L x W x H (mm)	WEIGHT
4000W Gas 3600W LPG	17.4A	3500W Gas 3150W LPG	5	4 Stroke OHV	59	Electric/Recoil	12L	12hrs @50%	✓	2	758x495x550	40kg

**SINGLE PHASE - 230V**



**GT4800Ei** **ELECTRIC START INVERTER GENERATOR**  
**4600W/5.8kVA** **SINGLE PHASE - 230V**

With 4600W (max) and compact design this single phase 230V inverter generator is ideal for camping, on-site, or house-hold backup.



- 4600W (max), 4200W (cont.)
- Push Button Electric start with EZ recoil backup for easy starting.
- Powerdyne 272cc 4-Stroke OHV engine for ultimate durability and reliability
- 2 x 15A, 230V outlets, 2 x USB outlets.
- Smart throttle for quiet operation and fuel savings.
- Digital control panel for simplified engine management and parameter monitoring.
- 12V charging capability for easy charging of small 12V batteries.
- Low oil shutdown helps to prevent generator damage if oil level is low.



OUTPUT (Max)	AMPS (Max)	OUTPUT (Rated)	kVA	ENGINE TYPE	dBA RATING	STARTING SYSTEM	FUEL TANK CAPACITY	RUN TIME	LOW OIL ALERT	POWER OUTLETS	L x W x H (mm)	WEIGHT
4600W	20A	4200W	5.8	4 Stroke OHV	65	Electric/Recoil	10L	11hrs @50%	✓	2	530x350x490	39.5kg



**GT5005Di** **DIESEL INVERTER GENERATOR**  
**5500W/6.9kVA** **SINGLE PHASE - 230V**

- Output 5500W (Max.), 5000W (Rated)
- Digital Engine Controller matches engine speed with power output load
- Pure Sine Wave Inverter Power output suitable for electronic tools and appliances
- Easy and accessible maintenance points
- Compact, efficient and robust single cylinder diesel engine
- Strong roll cage frame for easy transportation and protection
- Hour meter and LCD Display of generator parameters
- Electric Start for quick and convenient power
- 1 x 32A, 1 x 15A 230V 50Hz



OUTPUT (Max)	AMPS (Max)	OUTPUT (Rated)	kVA	ENGINE TYPE	dBA RATING	STARTING SYSTEM	FUEL TANK CAPACITY	RUN TIME	LOW OIL ALERT	POWER OUTLETS	L x W x H (mm)	WEIGHT
5500W	21.7A	5000W	6.9	4 Stroke OHV	84	Electric Start/Recoil	18L	10hrs @50%	✓	2	610x510x640	97kg





## GT6000ESi **ELECTRIC START** INVERTER GENERATOR 6000W/7.5kVA

Powerful, yet compact, this 6000W inverter generator is ideal for backup power and solar integration.



- 6000W (max), 5500W (cont.)
- Push button with Wi-Fi remote starting
- Reliable Powerdyne 4-stroke OHV engine
- 2-wire start function
- High performance air cleaner system for improved performance
- Large capacity muffler & silenced casing for super quiet operation
- Thermal overload circuit breakers for increased safety while operating
- Convenient pullout handle & compact dimensions for easy transportation



OUTPUT (Max)	AMPS (Max)	OUTPUT (Rated)	kVA	ENGINE TYPE	dBa RATING	STARTING SYSTEM	FUEL TANK CAPACITY	RUN TIME	LOW OIL ALERT	POWER OUTLETS	L x W x H (mm)	WEIGHT
6000W	26A	5500W	7.5	4-Stroke OHV	58	Electric/Recoil	13.5L	10hrs @50%	✓	2	638x502x545	56.5Kg



## GT9005Ei **ELECTRIC START** INVERTER GENERATOR 8000W/10kVA

Offering easy starting, industrial quality and superior performance & reliability, this large output 8000W inverter generator is exceptional for back-up power and great for running welding machines.



- 8000W (max), 7500W (cont.)
- Push button electric start with EZ recoil backup for easy starting
- Powerful 4-stroke OHV Powerdyne engine for ultimate reliability and durability.
- Smart throttle for quiet operation and fuel savings
- Digital control panel for simplified engine management and parameter monitoring
- All day power: 25L fuel tank for 9hrs runtime @ 50% load
- Low oil shut down preventing damage if oil runs low
- Sturdy design with steel roll cage frame and solid wheels for easy transportation



OUTPUT (Max)	AMPS (Max)	OUTPUT (Rated)	kVA	ENGINE TYPE	dBa RATING	STARTING SYSTEM	FUEL TANK CAPACITY	RUN TIME	LOW OIL ALERT	POWER OUTLETS	DIGITAL HR METER	L x W x H (mm)	WEIGHT
8000W	32.6	7500W	10	4 Stroke OHV	72	Electric/Recoil	25L	9hrs @50%	✓	2	✓	682x676x635	65kg



## GT8000ESi **ELECTRIC START** INVERTER GENERATOR 8000W/10kVA

This 8000W inverter generator can run up to 10 hours at 50% load making it an ideal solution for backup power, solar installations set-ups, worksites and in emergencies.



- 8000W (max), 7000W (cont.)
- Effortless push button electric and WiFi remote starting
- 2-wire start function – perfect for solar integration
- 4-stroke OHV Powerdyne engine for ultimate performance & reliability
- Large capacity muffler & silenced casing for super quiet operation
- Smart throttle and eco-mode functions add to the quiet operation, and help you save on fuel
- Convenient handles and 4 wheel for superior portability around site



OUTPUT (Max)	AMPS (Max)	OUTPUT (Rated)	kVA	ENGINE TYPE	dBa RATING	STARTING SYSTEM	FUEL TANK CAPACITY	RUN TIME	LOW OIL ALERT	POWER OUTLETS	DIGITAL HR METER	L x W x H (mm)	WEIGHT
8000W	34.8	7000W	10	4 Stroke OHV	59	Electric/Recoil	26L	10hrs @50%	✓	2	✓	790x660x810	105kg

## GT3600ES PROFESSIONAL POWER GENERATOR

### 3800W/4.8kVA with electric start

The functional Electric Start complements the industrial quality of the GT3600ES. This machine includes all the unique GT Power features like industrial air cleaner & muffler system, superior quality copper wound alternator & automatic voltage regulator (AVR), low engine oil alert with automatic engine shutdown. Combine these benefits with the premium build quality of GT Power and you have a machine that provides sterling service for a lifetime! With the capability of running a drop saw and all powertools the GT3600ES is ideal for the home workshop or garage.



Single Phase - 230V

OUTPUT (Max)	AMPS (Max)	OUTPUT (Rated)	kVA	ENGINE TYPE	dBA RATING	STARTING SYSTEM	FUEL TANK CAPACITY	RUN TIME	LOW OIL ALERT	POWER OUTLETS	DIGITAL HR METER	L x W x H (mm)	WEIGHT
3800W	16.5	3200W	4.8	4 Stroke OHV	72	Electric/Recoil	15L	11hrs @50%	✓	2	✓	625x490x510	50kg

## GT5600ES PROFESSIONAL POWER GENERATOR

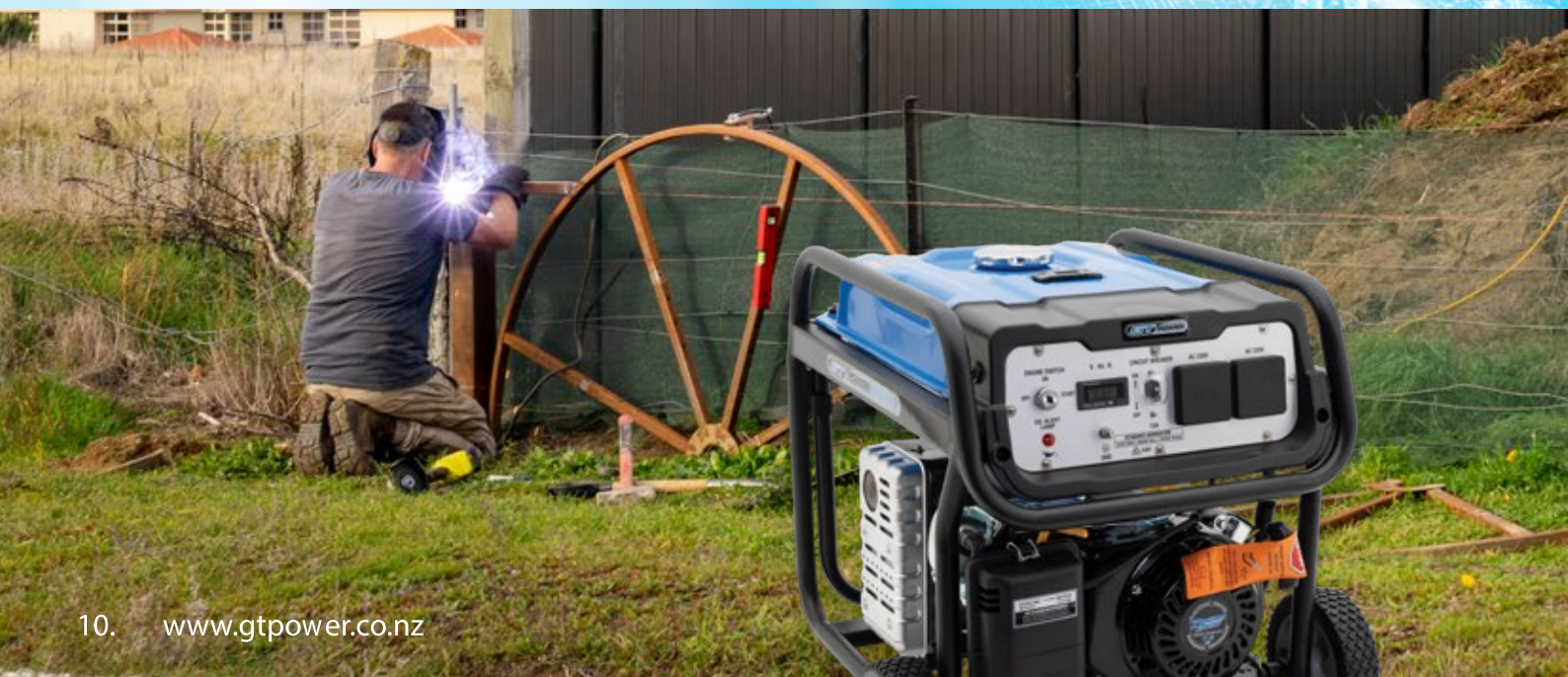
### 5500W/6.9kVA with electric start

The 25L fuel tank and the industrial quality of the GT5600ES will keep you in power all day. The GT5600ES includes all the unique GT Power features like industrial air cleaner & muffler system, superior quality copper wound alternator & automatic voltage regulator (AVR), low engine oil alert with automatic engine shutdown. Combine these benefits with the premium build quality of GT Power and you have a machine that provides sterling service for a lifetime! With the capability of running multiple powertools or household items the GT5600ES is ideal for running the bach, farm shed or emergency back-up power.



Single Phase - 230V

OUTPUT (Max)	AMPS (Max)	OUTPUT (Rated)	kVA	ENGINE TYPE	dBA RATING	STARTING SYSTEM	FUEL TANK CAPACITY	RUN TIME	LOW OIL ALERT	POWER OUTLETS	DIGITAL HR METER	L x W x H (mm)	WEIGHT
5500W	23.9	5000W	6.9	4 Stroke OHV	72	Electric/Recoil	25L	9hrs @50%	✓	2	✓	725x545x605	81kg



## GT10000ESQ PROFESSIONAL POWER GENERATOR

### 9000W/11.3kVA with electric start

The large 25L fuel tank and the industrial quality of the GT10000ESQ will keep you in power all day. With all the unique GT POWER features like industrial air cleaner & muffler system, superior quality alternator, automatic voltage regulator (AVR) and low oil alert, this state of the art generator empowers you to tackle any task!

This machine is the Big Boy in the range and packs a serious punch - being able to power a small house, workshop or a work site. Also the ideal generator for back-up power in natural disasters. Featuring a heavy duty outlet plug with adapter cord for maximum generator output - the GT10000ESQ is suitable for power tools, appliances, food carts and even a welding machine up to 200A.



High Capacity 25L Fuel Tank with Easy Grip Fuel Cap

Professional Series Control Panel with RCD

Monster 32A, 230V Single Phase Power Outlet with 15A Adapter Cord

Heavy Duty Steel Roll Frame

Solid, Wheels for Rugged Worksites

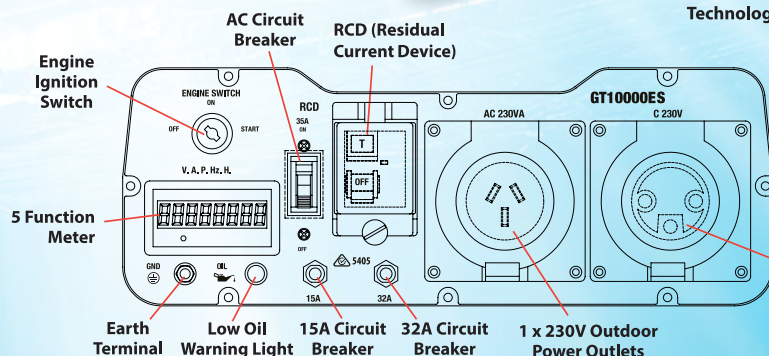
Industrial Air Cleaner and Muffler System

Powerdyne Professional Engine Technology



**DIGITAL 5 FUNCTION METER DISPLAYS:**  
 Output Voltage in Volts (V)  
 Output Current in Amps (A)  
 Output Power in Watts (W)  
 Output Frequency in Hertz (Hz)  
 Total Operating Hours (H)

Single Phase - 230V



OUTPUT (Max)	AMPS (Max)	OUTPUT (Rated)	kVA	ENGINE TYPE	dBA RATING	STARTING SYSTEM	FUEL TANK CAPACITY	RUN TIME	LOW OIL ALERT	POWER OUTLETS	DIGITAL HR METER	L x W x H (mm)	WEIGHT
9000W	35	8000W	11.3	4 Stroke OHV	72	Electric/Recoil	25L	8hrs @50%	✓	2	✓	745 x 545 x 605	94kg

## PATENTED TOMAHAWK SQUARE PROFILE ALTERNATOR



This revolutionary new technology allows a quantum leap forward in power output, quality and long-term endurance. The new square profile alternator has been designed with durability and efficiency at the front of mind.

The Tomahawk square profile alternator design incorporates 25% more surface area than traditional designs, allowing for an average running temperature reduction of around 20%! This heat reduction allows for increased power output from equivalent cc ratings by up to 10%.



Cooler running temperatures mean better durability and engine/alternator life, giving you better value for money out of your generator. Square alternator technology also offers reduced vibrations and smoother harmonics. For a highly efficient, durable generator look for the Tomahawk alternator icon.

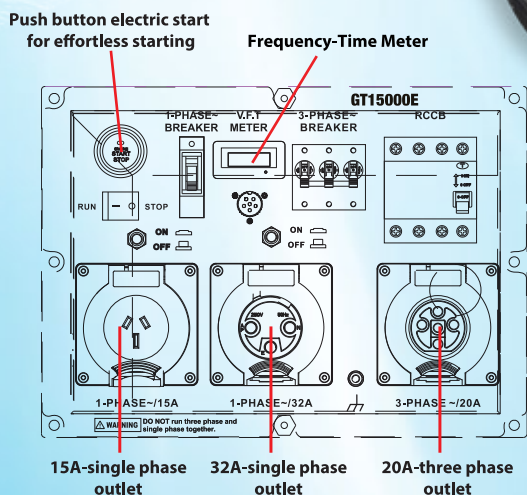
# GT15000E **PUSH BUTTON ELECTRIC START GENERATOR**

## 11500W/14.4kVA



A highly versatile single & three-phase machine with a massive 11500W (max) power output, multiple heavy duty power-outlets, and ATS, the GT15000E allows for easy powering of a house, workshop or work-site and make an ideal back-up generator in natural disasters.

The 40L fuel tank and industrial quality of the GT15000E will keep you in power all day. The unique GT Power features like the industrial air cleaner, muffler system, superior-duty copper wound alternator, automatic voltage regulator and low oil alert will allow you to tackle any task.



Three Phase - 415V  
Single Phase - 230V

OUTPUT (Max)	AMPS (Max)	OUTPUT (Rated)	kVA	ENGINE TYPE	dBa RATING	STARTING SYSTEM	FUEL TANK CAPACITY	RUN TIME	LOW OIL ALERT	POWER OUTLETS	DIGITAL HR METER	L x W x H (mm)	WEIGHT
11,500W	32	10,500W	14.4	4 Stroke OHV	76	Electric/Recoil	40L	9hrs @50%	✓	3	✓	900x620x950	153kg

# GT25000E ELECTRIC START GENERATOR

## 18000W/22.5kVA

The massive 65L fuel tank and industrial quality of the GT25000E will keep you in power all day. With the unique GT Power features like the industrial air cleaner and muffler system, superior-duty copper-wound alternator, automatic voltage regulator and low oil alert, this generator allows you to tackle any task.

This machine is the 'Big Boy' in the range with single & three-phase capabilities, packing a serious punch. With a massive 18000W (max) power output and multiple heavy duty power-outlets, the GT25000E allows for easy powering of a house, workshop or a work-site. This is an ideal generator for back-up power in natural disasters.



**1x**  
THREE PHASE  
(32A) OUTLETS

**3x**  
SINGLE PHASE  
(15A & 32A)



Three Phase - 415V  
Single Phase - 230V

OUTPUT (Max)	AMPS (Max)	OUTPUT (Rated)	kVA	ENGINE TYPE	dBA RATING	STARTING SYSTEM	FUEL TANK CAPACITY	RUN TIME	LOW OIL ALERT	POWER OUTLETS	DIGITAL HR METER	L x W x H (mm)	WEIGHT
18000W	32	17000W	22.5	4 Stroke OHV	82	Electric/Recoil	65L	8.5hrs @50%	✓	4	✓	1000x690x1150	247kg

..... **BREAK THROUGH TECHNOLOGY!**

# 28A Rated Super Duty Extension Cord #16895

- Super Duty Moulded Fittings
- 2.5mm Copper Cable
- 15A Plug
- 28A Rated Continuous Use
- ANZS Approved
- 15m Length
- For high current applications such as induction motor startups and welding equipment
- 12 Month Warranty.



# ezipour 01 FUEL SET

Total Fuel Treatment for GT Power Generators

#B200FS 200ml, #B1LFS 1 Litre, #B5LFS 5 Litre



**NO  
HARMFUL  
BIOCIDES**

**Eliminates  
Diesel Bug**



**Regular Use of Fuel Set:**

- ✓ Maintains and Cleans Fuel Tanks
- ✓ Improves Fuel Performance
- ✓ Improves Fuel Economy
- ✓ Reduces Maintenance
- ✓ Prolongs the Life of Engine Parts
- ✓ Reduces Emissions
- ✓ Revitalises Stagnant Fuel
- ✓ Prevents Fuel Bugs and Fungal Growth
- ✓ Prevents Fuel System Corrosion
- ✓ Helps Prevent Diesel from Waxing Up in Freezing Conditions

# Premium Generator Covers

Ultimate Protection from Dust, UV Rays and More

# GTGC-S

- Industrial-Grade Weather Guard 570gsm PVC + Inner Mesh for Maximum Protection
- 2 x Easy Carry Wide Webbed Straps to Support Full Machine Weight
- Sealed Zipper & Double-Stitching to Keep Out Dust, Fuel Fumes & Weather
- Suits all Suitcase-Style Generators



# GTGC-M



# GTGC-L



# GTGC-XL

- Industrial-Grade WeatherGuard 600D/370gsm Grey Polyester with PVC Coating for Maximum Protection
- Velcro Air Vents Provides Maximum Ventilation and Keeps Out Condensation
- Sealed Industrial Double-Stitching All Around to Keep your Machine Extra Protected
- Bungee Cord Hem for a Custom-like Fit

# COMPARING SPECIFICATIONS



Inverter Series

Conventional Series

MODEL	OUTPUT (Max)	AMPS (Max)	OUTPUT (Rated)	kVA	ENGINE TYPE	DBA RATING	STARTING SYSTEM	FUEL TANK CAPACITY	RUN TIME @50%	LOW OIL ALERT	POWER OUTLETS	DIGITAL HR METER	2-WIRE START	L x W x H (mm)	WEIGHT	COVER SIZE
GT2500ESi	2500W	10A	2300W	2.9	4 Stroke OHV	52	Electric/Recoil	4.5L	10hrs	✓	2	✓		485x340x510	21.5kg	S
GT3800Ei	3800W	16.5A	3500W	4.8	4 Stroke OHV	65	Electric/Recoil	10L	11hrs	✓	2	✓		530 x 350 x 490	34kg	-
GT4000ESi	4000W	17.4A	3500W	5	4 stroke OHV	59	Electric/Recoil	12L	12hrs	✓	2	✓	✓	758 x 495 x 550	40kg	M
GT4000i-LPG	4000W Gas 3600W LPG	17.4A	3500W Gas 3150W LPG	5	4 stroke OHV	59	Electric/Recoil	12L	12hrs	✓	2	✓	✓	758 x 495 x 550	40kg	M
GT4800Ei	4600W	20A	4200W	5.8	4 stroke OHV	65	Electric/Recoil	10L	11hrs	✓	2	✓		530 x 350 x 490	39.5kg	-
GT5005Di	5500W	21.7A	5000W	6.9	4 stroke OHV	84	Electric/Recoil	18L	10hrs	✓	2	✓		610 x 510 x 640	97kg	-
GT6000ESi	6000W	26A	5500W	7.5	4 stroke OHV	58	Electric/Recoil	13.5L	10hrs	✓	2	✓	✓	638 x 502 x 545	56.5kg	-
GT9005Ei	8000W	32.6A	7500W	10	4 stroke OHV	72	Electric/Recoil	25L	9hrs	✓	2	✓		682 x 676 x 635	65kg	L
GT8000ESi	8000W	34.8A	7000W	10	4 Stroke OHV	59	Electric/Recoil	26L	10hrs	✓	2	✓	✓	790 x 660 x 810	105kg	L
GT3600ES	3800W	16.5A	3200W	4.8	4 Stroke OHV	72	Electric/Recoil	15L	11hrs	✓	2	✓		625 x 490 x 510	50kg	M
GT5600ES	5500W	23.9A	5000W	6.9	4 Stroke OHV	72	Electric/Recoil	25L	9hrs	✓	2	✓		725 x 545 x 605	81kg	L
GT10000ESQ	9000W	35A	8000W	11.3	4 Stroke OHV	72	Electric/Recoil	25L	8hrs	✓	2	✓		745 x 545 x 605	94kg	L
GT15000E	11500W	32A	10500W	14.4	4 Stroke OHV	76	Electric/Recoil	40L	9hrs	✓	3	✓		900 x 620 x 950	153kg	XL
GT25000E	18000W	32A	17000W	22.5	4 Stroke OHV	82	Electric/Recoil	65L	8.5hrs	✓	4	✓		1000x690x1150	247kg	XL



The logo consists of the letters 'GT' in a bold, italicized, sans-serif font. The letters are filled with a blue-to-white gradient and have a white outline. The background of the entire image is a vibrant blue with abstract, glowing white and light blue streaks and patterns that resemble energy or motion.

**POWER**

[www.gtpower.co.nz](http://www.gtpower.co.nz)